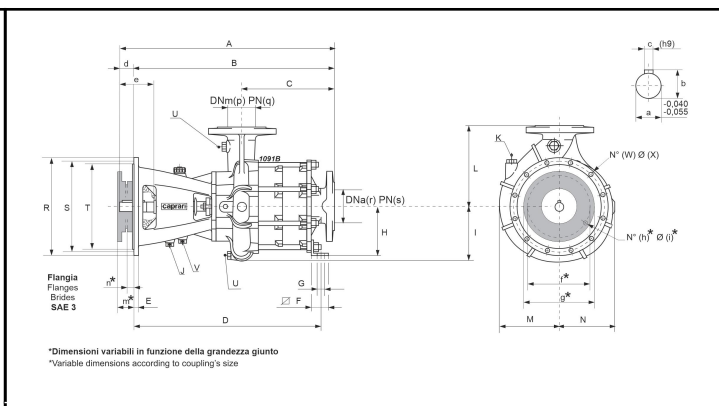
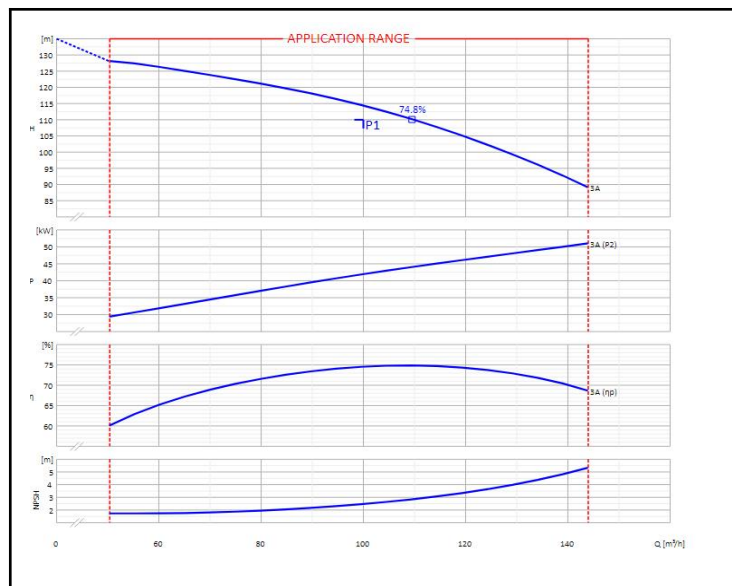


| | | | |
|------------------|----------------------------------------|---------------|-----------------------|
| Customer: | | Ref.: | |
| Item | Quantity | Required flow | 100 m ³ /h |
| Type | CENTRIFUGAL PUMP WITH HORIZONTAL SHAFT | Model | MEC-MG80-4/3A |
| | | Required head | 110 m |



Dimensions [mm]

| | | | | | | | |
|---|-----|---|--------|---|--------|---|-----|
| A | 754 | J | G 3/8" | V | G 1/2" | q | 16 |
| B | 734 | K | G 3/8" | W | 12 | r | 100 |
| C | 345 | L | 325 | X | 11.5 | s | 16 |
| D | 672 | M | 244 | a | 35 | | |
| E | 20 | N | 225.5 | b | 38 | | |
| F | 45 | R | 451 | c | 10 | | |
| G | 28 | S | 428.6 | d | 20 | | |
| H | 200 | T | 409.6 | e | 86 | | |
| I | 223 | U | G 3/8" | p | 80 | | |

| OPERATING DATA- ISO 9906:2012 3B - | | | | | CONSTRUCTION CHARACTERISTICS | | | |
|------------------------------------|-------|--------|-------|----------|------------------------------|-----|------------|----|
| Q [m ³ /h] | H [m] | P [kW] | η [%] | NPSH [m] | UNI delivery flange DN | 80 | PN | 16 |
| | | | | | UNI suction flange DN | 100 | PN | 16 |
| | | | | | Total weight | 158 | | Kg |
| | | | | | No. Stages | | 3 | |
| | | | | | Pump seal | | Packing | |
| | | | | | Type of installation | | Horizontal | |

| OPERATING LIMITS | | | OPERATING CHARACTERISTICS | | | |
|-----------------------------------------|-------------------------|--------------------|---------------------------|-----------|-------------------|-------------------|
| Pumped liquid | Water | | Service flow rate | 101.61 | m ³ /h | |
| Max. temperature of pumped liquid | n.d. | | Service head | 113.58 | m | |
| Maximum density | 1 | kg/dm ³ | Qmin | 50.4 | 144 | m ³ /h |
| Maximum viscosity | 1 | mm ² /s | H (Q=0) | 135 | 128 | m |
| Max. solid content | 20 | g/m ³ | P2 Duty Point | 42.17 | 50.9 | kW |
| Max. no. starts/hr | n.d. | | P2max | | | |
| | | | Pump hydraulic efficiency | 74.53 | % | |
| | | | Rotation speed | 1750 | 1/min | |
| Maximum operating time with closed port | 10min (2400rpm) [40 °C] | | Sense of rotation (*) | n.d. | | |
| | | | Number of pumps installed | Operating | Stand-by | |
| | | | | 1 | 0 | |

| PUMP MATERIALS | |
|--------------------|----------------------|
| Delivery body | Cast iron |
| Suction support | Cast iron |
| Impeller | Cast iron |
| Diffuser | Cast iron |
| Cooling jacket | Cast iron |
| Stuffing box | Steel |
| Impeller wear ring | Cast iron |
| Bearing bush | Bronze |
| Packing | Ribbon cable in GORE |
| Lantern bracket | Cast iron |
| Pump shaft | Stainless steel |
| Flange bearing | Cast iron |
| Shaft sleeve | |
| Protective casing | Steel |
| Feather key | Steel |
| Tie rod | Steel |

| | |
|---------------|-----------------------------------|
| Notes: | (*) View from motor coupling side |
| OFFER No. | Pos. |
| | Date 10/11/2022 |